

Line Frequency Capacitors 50/60Hz

ESTAprop®/ESTAdry® 200 - 1000V, SELF-COOLING, SINGLE-PHASE

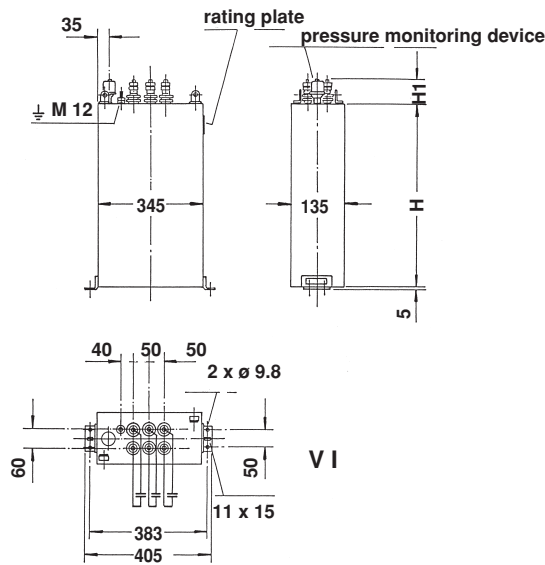
DESIGN

- MKP-type wound elements in high-quality steel sheet or brass sheet welded casing;
- Casing varnish RAL 7033;
- IP00, indoor, - 25°C/+ 45° C (unless otherwise confirmed);
- Self-healing, with overpressure switch ("DR") or tear-off fuse (A)*, (*available only for a limited number of types!);

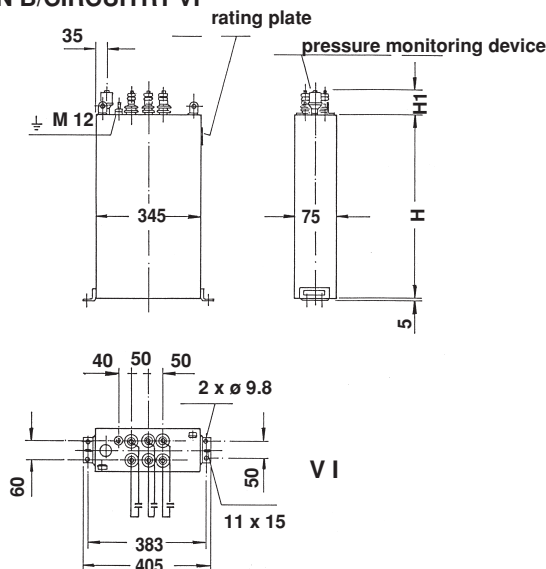
- Connection bolt M12, or M20 (depending on application current);
- Grounding bolt M12;
- Mounting in the upright position, or horizontally on the narrow side.

Water-cooled capacitors can be supplied upon request.

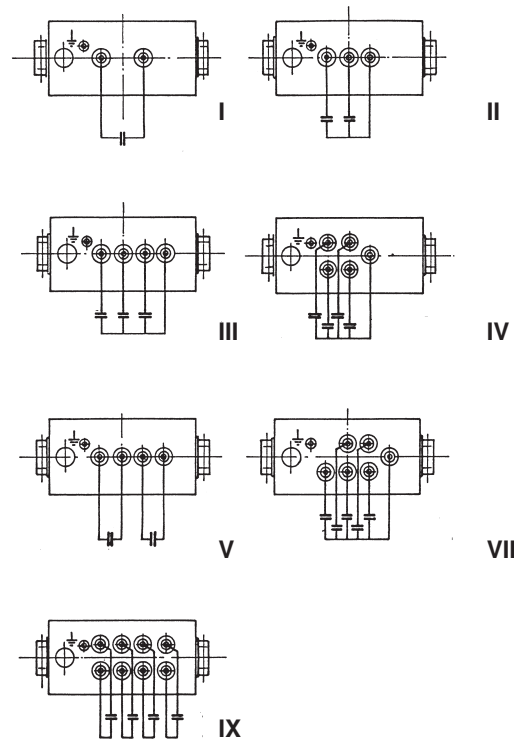
VERSION A/CIRCUITRY VI



VERSION B/CIRCUITRY VI



ADDITIONAL CIRCUITRY VERSIONS



200 – 1000V, 50Hz (60Hz on request)								
U _N (V)	Q _N (kVAr)	SUBDIVISIONS .. x ..kVAr	C _N (μF)	I _N (A)	VERSION/ CIRCUITRY	H mm	BUSHING	TYPE Phmkp ...
200	200	3 x 67	15915	1000	A / VI	900	M12	..200/200/1 S-DR
200	200	3 x 67	15915	1000	B / VI	730	M 12	..200/200/1 S-DR
250	250	3 x 83	12732	1000	A / VI	720	M 12	..250/250/1 S-DR
250	250	3 x 83	12732	1000	B / VI	570	M 12	..250/250/1 S-DR
400	400	3 x 133	7958	1000	A / VI	650	M 12	..400/400/1 S-DR
400	400	3 x 133	7958	1000	B / VI	570	M 12	..400/400/1 S-DR
440	440	3 x 147	7234	1000	A / VI	720	M 12	..440/440/1 S-DR
440	440	3 x 147	7234	1000	B / VI	560	M 12	..440/440/1 S-DR
500	500	3 x 167	6366	1000	A / VI	910	M 12	..500/500/1 S-DR
500	500	3 x 167	6366	1000	B / VI	720	M 12	..500/500/1 S-DR
550	510	3 x 170	5367	927	A / VI	970	M 12	..550/510/1 S-DR
550	550	3 x 183	5787	1000	B / VI	800	M 12	..550/550/1 S-DR
600	510	3 x 170	4509	850	A / VI	970	M 12	..600/510/1 S-DR
600	550	3 x 183	4863	917	B / VI	820	M 12	..600/550/1 S-DR
660	420	2 x 210	3069	636	A / V	960	M 12	..660/420/1 S-DR
660	550	3 x 183	4019	833	B / VI	970	M 12	..660/550/1 S-DR
750	550	3 x 183	3112	733	A / VI	970	M 12	..750/550/1 S-DR
750	600	3 x 200	3395	800	B / VI	860	M 12	..750/600/1 S-DR
800	600	3 x 200	2984	750	A / VI	950	M 12	..800/600/1 S-DR
800	630	3 x 210	3133	788	B / VI	790	M 12	..800/630/1 S-DR
900	630	3 x 210	2476	700	A / VI	910	M 12	..900/630/1 S-DR
900	675	3 x 225	2653	750	B / VI	790	M 12	..900/675/1 S-DR
1000	555	3 x 185	1767	555	A / VI	970	M 12	..1/555/1 S-DR
1000	675	3 x 225	2149	675	B / VI	940	M 12	..1/675/1 S-DR

Shown are the maximum power ratings, other power ratings, voltages, and subdivisions on request.



Disclaimer

All product specifications and data are subject to change without notice.

Vishay Intertechnology, Inc., its affiliates, agents, and employees, and all persons acting on its or their behalf (collectively, "Vishay"), disclaim any and all liability for any errors, inaccuracies or incompleteness contained herein or in any other disclosure relating to any product.

Vishay disclaims any and all liability arising out of the use or application of any product described herein or of any information provided herein to the maximum extent permitted by law. The product specifications do not expand or otherwise modify Vishay's terms and conditions of purchase, including but not limited to the warranty expressed therein, which apply to these products.

No license, express or implied, by estoppel or otherwise, to any intellectual property rights is granted by this document or by any conduct of Vishay.

The products shown herein are not designed for use in medical, life-saving, or life-sustaining applications unless otherwise expressly indicated. Customers using or selling Vishay products not expressly indicated for use in such applications do so entirely at their own risk and agree to fully indemnify Vishay for any damages arising or resulting from such use or sale. Please contact authorized Vishay personnel to obtain written terms and conditions regarding products designed for such applications.

Product names and markings noted herein may be trademarks of their respective owners.